

Truepress Jet520EX

Monochrome

Variable Printing System

Dominating the monochrome printing market with practical competitiveness



Mr. John Smith
Apt. 601, 9876 La
Chicago, IL 6060

Closing Date: August 25, 2011

Thank you for using your
* Do not pay the above if
withdrawn from the die
following that if the 15

Amount Due

Transaction (Posting) Date	Principal	Suppl.	Merchandise
05 6 4	0	0	Shop-N-Go
05 6 4	0	0	Giorgio's Italian Pizza
05 6 4	0	0	PrimeRate Tickets
05 6 7	0	0	Fine Furnishings
05 6 12	0	0	Tina's Gifts and Things
05 6 12	0	0	The Live House
05 6 18	0	0	Pub on the Lake
05 6 20	0	0	Giorgio's Italian Pizza



Meeting a wide variety of short-run printing needs to create new business

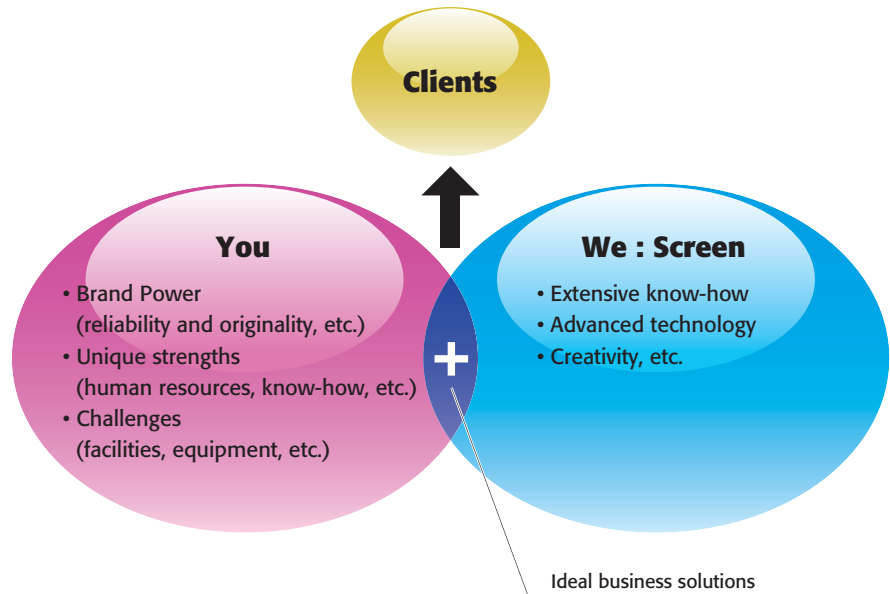
The Truepress Jet520 combines prepress and printing technology developed over many years with the latest inkjet technology, enabling both high quality and productivity. The Truepress Jet520 established a new position for itself in the market as a previously unseen type of inkjet printing system and has since grown to the point where it boasts large numbers of units in use around the globe.

The Truepress Jet520EX Monochrome was created based on this existing technology and reliability, and concentrates the functions required for monochrome printing in a compact unit. It combines various features that precisely meet both the rising need for diversified and small-lot production, as well as customer requirements for lower costs. Along with increasing efficiency in existing fields, the Truepress Jet520EX Monochrome makes it possible to build new business in the monochrome printing market.



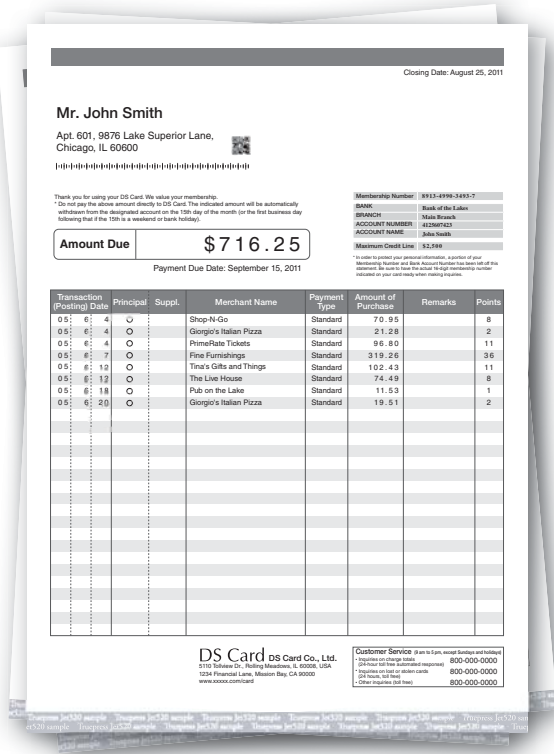
Make Us Your Partner

What you need is always changing depending on the market situation, and what we can offer now does not mean we cannot do more for you. Having been in printing market since 1943, Screen knows the importance of being customers' business partner and of not being afraid of changing ourselves to advance. Worldwide Screen group is eager to be your best partner with our technology, experience and creativity. Make us your partner, create new solution for YOUR clients with Screen.



Data printing business

- Detailed statements and invoices
- Direct mail
- Notifications and guidance type materials
- Other



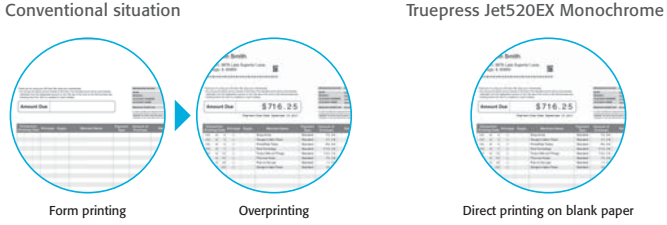
Providing comprehensive support for increased monochrome printing efficiency and expansion of market share

The Truepress Jet520EX Monochrome delivers outstanding efficiency thanks to a throughput equivalent to 1,680 A4 pages per minute.* In addition, its high tone reproducibility and ability to use a wide range of papers allows it to achieve high quality in various fields. This system greatly expands the potential to break out of standard practices accepted in the data printing business up to now and create new types of business.

* When using a dual engine duplex configuration (A3, double-sided). Preliminary calculation for 2-up duplex printing.

Streamlining using single-pass printing

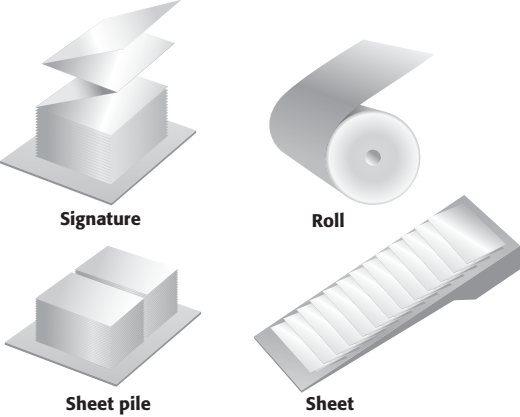
With conventional data printing, it is common to output shared sections on an offset printer in advance and then output the variable parts on a non-offset printer. However, the Truepress Jet520EX Monochrome's exceptional printing accuracy and registration precision quality now allow single-pass printing from blank paper. This clearly has benefits in terms of pre-printed shells and personnel costs, and also opens up paper storage requirements and decreases control and disposal costs. It also enables more flexible handling of design changes required by customers.



Selectable inline processing

The Truepress Jet520EX Monochrome allows for versatile finishing options. Automated finishing solutions include state-of-the-art unwinders, rewinders, bookletmakers, saddlestitchers, folders, perfect binders, three-knife trimmers, spiral folders, cutters, stackers, and roll-to-sheet feeders, which all run at the highest production speed.

- Inline processing**
Tracker feed punching, horizontal/vertical perforation, slit processing, file punching, etc.
- Finishing format**
Roll, signature, sheet, sheet pile



Standard availability of overprinting operation

The Truepress Jet520EX Monochrome is available for the overprinting operation, because it is equipped with an adjustment function that aligns the positioning of pre-printed materials. It also seamlessly handles the transfer of paper processed with perforations or marginal punching during pre-printing. In addition, an optional bitmap inspection system is able to limit inspection to only overprinted sections of the pre-printed paper.

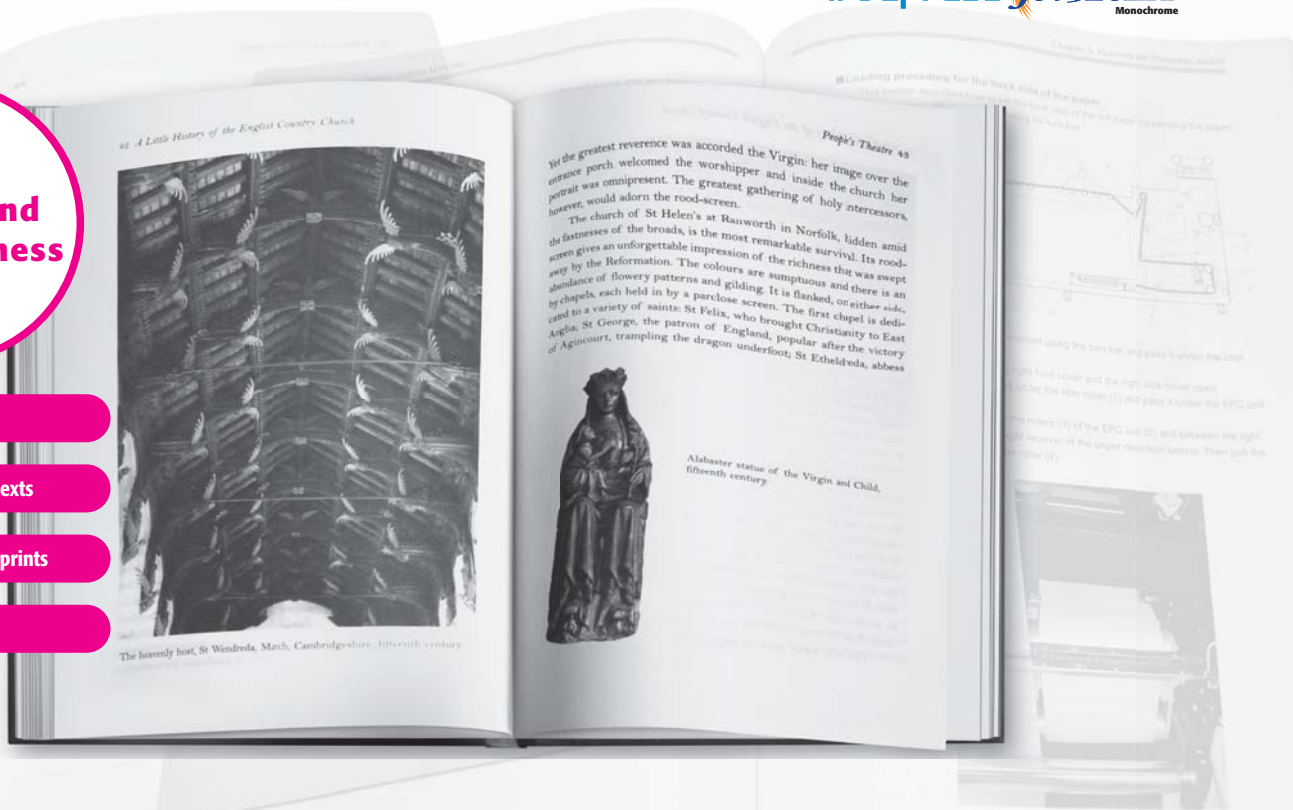
On-demand book business

Manuals

Study materials/texts

Further editions/reprints

Other



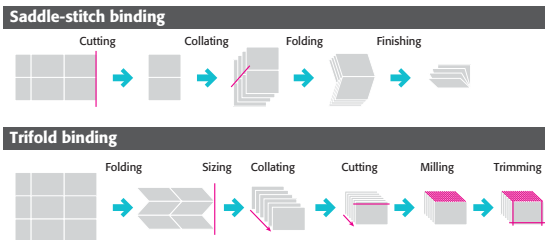
Potential for inkjets to open up the on-demand book business

The Truepress Jet520EX Monochrome offers both post-press processing capabilities and storage performance equal to offset printing, as well as the ability to print single copy. It is capable of printing on standard book paper and fine paper, even when using water-based inks. It offers outstanding resistance to water, light, and ozone after printing and is optimized for long-term storage and use under rigorous conditions.

The Truepress Jet520EX Monochrome is the key to establishing an on-demand book business.

Optimal imposition whatever the binding method

Linked with EQUIOS, the Truepress Jet520EX Monochrome is equipped to handle a multitude of impositions for book binding specifications including saddle stitching, and perfect binding from a single paper roll. In addition, it also provides accurate and easy layout functions for accessory items such as the crop marks and barcodes required for post-press processing. The Truepress Jet520EX Monochrome is a full support system for high-quality on-demand book production with rapid turnaround.

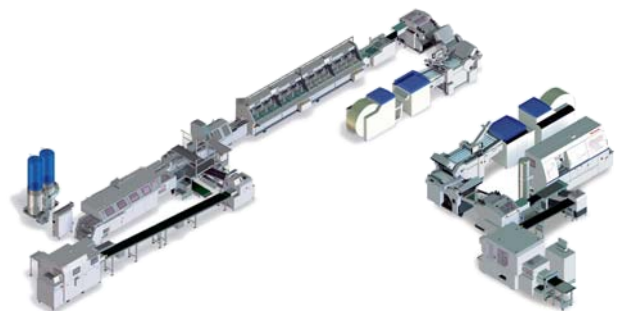


Printing of single copies

Even in the publishing field of perfect and case binding, in which large volume production using offset printing has been mainstream until now, the Truepress Jet520EX Monochrome enables the creation of extremely small lots without inventory. In addition, it allows the development of new applications involving, for example, the production of single copies of premium books with added personalized variable contents.

Connection with various book binding machines

Reflecting the trend toward diversified and small lot production, manufacturers of binding machines have all released roll paper compatible systems. The Truepress Jet520EX Monochrome can be linked with various binding machines and this reliably meets the needs of many customers related to perfect binding and saddle stitching for minimum lot runs and books containing variable data.



No concerns about lost or incorrectly ordered pages

Printing a single copy using a continuous sheet of roll paper eliminates collation in post-press processing and removes any concerns about missing or incorrectly ordered pages. This approach also includes linking with the book binding machine using barcode printing, leading to the construction of a more reliable production management system.

On-demand printing that defies conventional high-speed inkjet printing quality to deliver outstanding productivity and ROI

Balance of quality and productivity

The Truepress Jet520EX Monochrome possesses multi-level printing of down to 3 picoliters and proprietary screening technology, enabling high printing quality. The Truepress Jet520EX Monochrome also offers high throughput of up to 128 meters (419.94 feet) per minute (comparable to 1,720 A4 pages per minute*), making it a high spec inkjet printing system capable of satisfying both requirements. It also excels at reproducing gradations.

** When using a dual engine duplex configuration*

High efficiency inkjet printhead

The Truepress Jet520 features Piezo Drop on Demand (DOD) inkjet printhead arrays manufactured by Seiko Epson Corporation, which are well known for their reliability. Their approximately three picoliter ink droplets are among the smallest in the world and enable highly precise control. With four tones per dot, ultra-detailed expression is possible. Beautiful, smooth printing with sharp, crisp characters can be achieved.

Selectable inks

A lineup including both water-based pigment and dye inks is available. The optimal ink type can be selected to suit the work details and conditions.

Water-based pigment inks

Water-based pigment inks are deposited on the surface of print media as particles, minimizing both strike-through and thickening of characters and enabling sharp, unblurred printing. They also offer high resistance to water, light, heat, ozone, and chemicals, providing the efficiency required for printing of books, including reaching materials and manuals. These inks can be stored for extended periods, even under rigorous conditions.

Water-based dye inks

Dye inks offer vivid coloring, with particularly impressive display of intermediate colors. They are also effective for reducing operating costs.

Gentle on people

Easy operation

All daily required operations, such as the specification of print jobs and log control as well as the creation of different print settings, can be performed centrally on a touch type panel. A design approach that prioritizes ease of use has allowed the creation of an operation environment that is both simple and easy to understand.



Easy maintenance

To facilitate stable printing, scanning technology developed over many years has been introduced, leading to the incorporation of a quality control scanner. This device imports a test chart and performs an inspection to locate inkjet printheads that require correction and cleaning.



Gentle on paper

The Truepress Jet520 series uses proprietary high-efficiency inks and is able to achieve multi-level printing and low-temperature drying using small ink droplets. In addition, proprietary transfer control technology minimizes the load on the paper and allows the printing and transport of paper other than specialized types such as thin or fine paper. This wider range of applicable paper types far exceeds other inkjet printers and expands potential business areas.

Gentle on the environment

The Truepress Jet520EX Monochrome delivers even higher electricity savings than the conventional full-color model, which itself has an established reputation for energy efficiency. The Truepress Jet520EX Monochrome offers an ecological design not seen in other high-speed inkjet printers.

Ability to select a system configuration according to operational requirements

Three types of system configuration are available, allowing customers to select the setup that is suitable for their operational requirements.

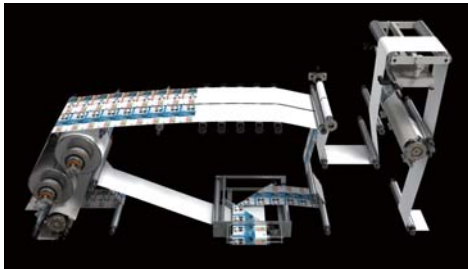
Simplex

Enables simplex printing of widths up to 520 mm (20.47”).



Single Engine Duplex

Enables simplex printing of widths up to 520 mm (20.47”) and duplex printing of widths up to 250 mm (9.84”) on a single machine.

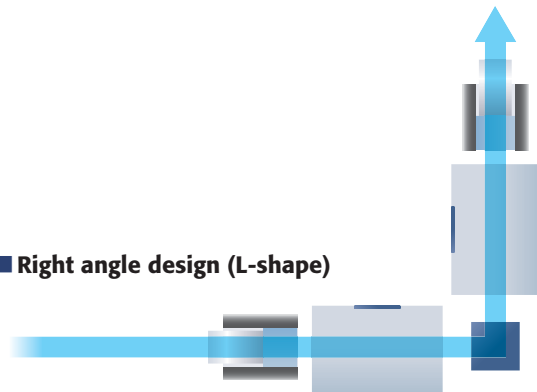


Dual Engine Duplex

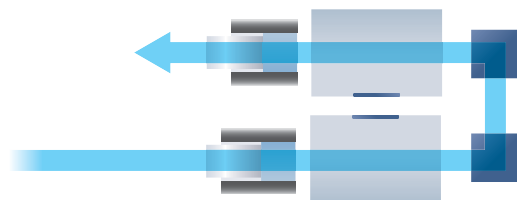
Allows duplex printing of widths up to 520 mm (20.47”) when two simplex systems are linked.



■ **Right angle design (L-shape)**



■ **Partial loop design (U-shape)**



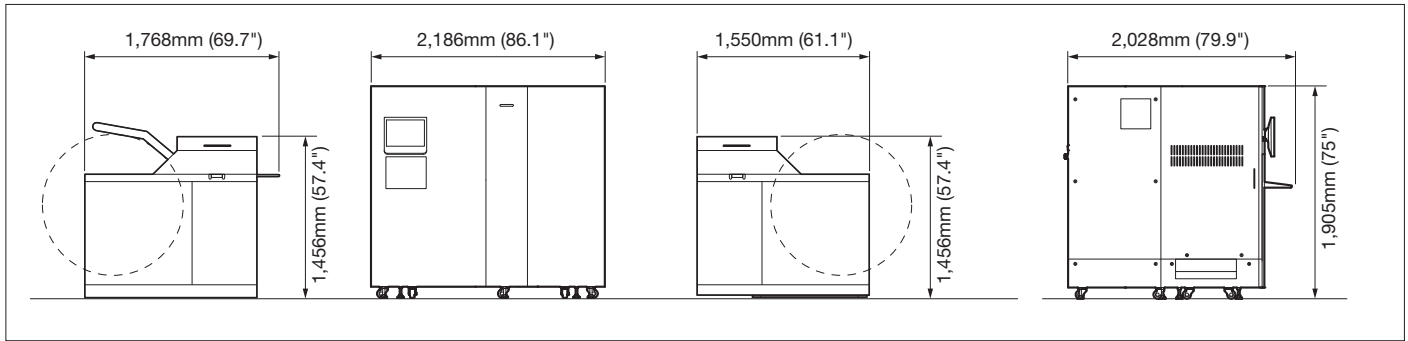
Linked workflow EQUIOS leads the digital printing era

EQUIOS is a professional workflow system created based on Screen’s extensive experience, which provides straightforward usage regardless of the operator’s own experience and specialized skill. EQUIOS offers high-speed processing using the latest RIP core, practical and easy color management linked to paper-information and simplified imposition based on in-depth prepress know-how.



EQUIOS

Dimensions



Truepress Jet520EX Monochrome specifications

Printing method	Piezo single-pass printing, four tones per drop
RIP	EQUIOS
Ink	Water-based pigment inks, water-based dye inks
Resolution	Maximum 720 x 360 dpi
Product configurations	Simplex, Dual Engine Duplex, Single Engine Duplex
Printing speed*1	Maximum 128 m (419.94')/min (under Screen's conditions)
Paper width*2	165 to 520 mm (6.5" to 20.47")
Printing width*3	150 to 506 mm (5.9" to 19.92")
Dimensions(W x D x H)	2,186 x 1,766 mm [2,028 including operation panel] x 1,905 mm [printer unit]
Weight	1,766 kg (3,894 lb) [Simplex]
Power source	Printer: Three phase 200 to 240 V, 25 A / 380 to 440 V, 15 A Single phase 200 to 240 V, 13 A Single phase 100 to 240 V, 2 A
Operating environment	Temperature: 18 to 24°C (no sudden temperature changes) Relative humidity: 40 to 60% (no condensation)

*1 Maximum 64m (209.97') during duplex printing with a single engine duplex system.

*2 165 to 250 mm (6.5" to 9.84") during duplex printing with a single engine duplex system.

*3 150 to 238 mm (5.9" to 9.37") during duplex printing with a single engine duplex system.

The Truepress Jet520EX Monochrome that uses water-based dye inks can be converted to print in color.

Please consult your Screen representative for details.

www.screen.co.jp/520exm

For more information, please visit our web site.



DAINIPPON SCREEN MFG. CO., LTD.

HEAD OFFICE

* Teranouchi-agaru 4-chome, Horikawa-dori, Kamigyo-ku, Kyoto, 602-8585 Japan/Phone +81-75-414-7610/Fax +81-75-414-7608

DAINIPPON SCREEN GRAPHICS (USA) LLC

* 5110 Tollview Dr., Rolling Meadows, IL 60008, USA/Phone +1-847-870-7400/Fax +1-847-870-0149 www.screenusa.com

DAINIPPON SCREEN (DEUTSCHLAND) GmbH

* Mündelheimer Weg 39, 40472 Düsseldorf, Germany/Phone +49-211-472701/Fax +49-211-4727199

DAINIPPON SCREEN (U.K.) LTD.

* Michigan Drive, Tongwell, Milton Keynes, Buckinghamshire MK15 8HT, UK/Phone +44-1908-848500/Fax +44-1908-848501 www.screen.co.uk

DAINIPPON SCREEN (NEDERLAND) B.V.

* Bouwerij 46, 1185 XX Amstelveen, Holland/Phone +31-20-4567800/Fax +31-20-4567805 www.screenrope.com

DAINIPPON SCREEN SINGAPORE PTE. LTD.

* 29, Kaki Bukit View, Kaki Bukit Techpark II, Singapore 415963/Phone +65-6749-3833/Fax +65-6749-9010 www.screenesp.com.sg

DAINIPPON SCREEN (CHINA) LTD.

* Room 2001 - 2003, 20/F Cable TV tower 9 Hoi Shing Road Tsuen Wan, N.T. Hong Kong/Phone +852-2953-0038/Fax +852-2755-8693

Beijing office/Phone +86-10-6708-9271, 9272, 9273/Fax +86-10-6708-9395

Shanghai office/Phone +86-21-3126-5122/Fax +86-21-5218-2199

Guangzhou office/Phone +86-20-3891-1112/Fax +86-20-3891-1036

DAINIPPON SCREEN (TAIWAN) CO., LTD.

* 4F No. 126-1, Ming Tsu West Rd., Taipei, Taiwan/Phone +886-2-25862711/Fax +886-2-25914367

DAINIPPON SCREEN (KOREA) CO., LTD.

* 10th Yonsei Bongsae B/D 4F-2, 1Ga, Bongsae-Dong, Joong-Gu, Seoul 100-161, Korea/Phone +82-2-7766-786/Fax +82-2-7766-787

DAINIPPON SCREEN (AUSTRALIA) PTY. LTD.

* Suite 11, 2 Eden, Park Drive, Macquarie, NSW2133, Australia/Phone +61-2-9016-3400/Fax +61-2-9016-3425

Internet web site : www.screen.co.jp

www.screenusa.com

www.screenrope.com

• This brochure was made using SPEKTA 2 screening.

We reserve the right to alter product design and specifications without prior notice.

No. 205-144A Printed in Japan 03-12 020FSI(R1-1)